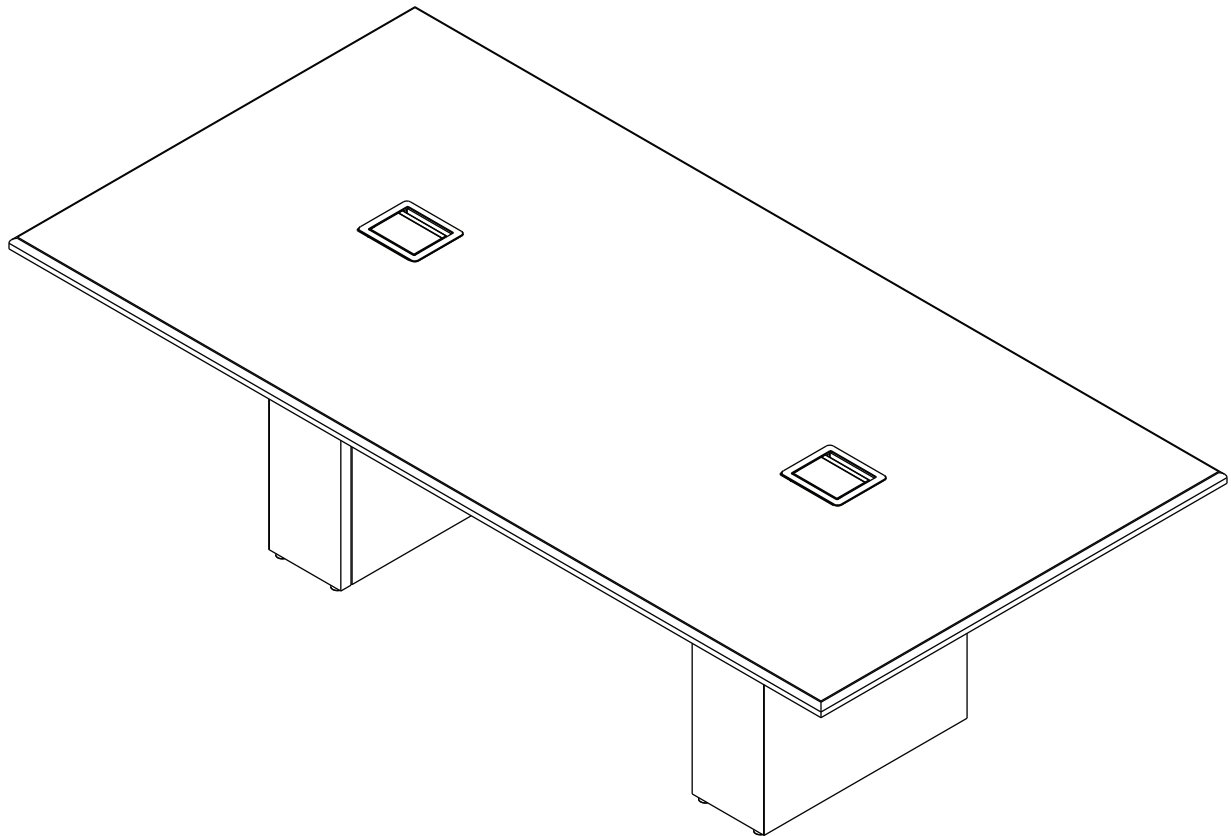


INSTRUCTION SHEET
T5 SERIES
PRE-SELECT CONFERENCE TABLES



THANK YOU

Thank you for purchasing a T5 Series Pre-Select Conference Table. Please read these instructions thoroughly before installing or assembling this product.

PRODUCT FEATURES

- Patent-pending swing-out pedestal rack can be located in the table pedestal of choice. Innovative flexibility for up to 3 RU of sideways rackmounting, small device mounting or a combination of the two. Includes three tool-free Lever Lock™ plates for mounting small devices
- Wiremold InteGreat™ Table Boxes in black or silver with 2 retracting HDMI cables and 2 AC outlets for power and connectivity at the surface. Table boxes and cable retractors are concealed by the table's pedestal
- Power distribution
- Cable management strips and bridge lances

IMPORTANT SAFETY INSTRUCTIONS

- Read these instructions.
- Heed all warnings.
- Clean only with dry cloth.
- Keep these instructions.
- Follow all instructions.
- Only use attachments/accessories specified by the manufacturer.



DANGER HAZARDOUS VOLTAGE: The lightning flash with the arrowhead symbol, within an equilateral triangle is intended to alert the user to the presence of uninsulated dangerous voltage within the product's enclosure that may be of sufficient magnitude to constitute a risk of electric shock to persons.



WARNING: A warning alerts you to a situation that could result in serious personal injury or death.



CAUTION: A caution alerts you to a situation that may result in minor personal injury or damage to the product and/or property.

NOTE: A note is used to highlight procedures pertaining to the installation, operation, or maintenance of the product.



WARNING: Failure to read, understand and follow the following information can result in serious personal injury, damage to the equipment or voiding of the warranty. It is the responsibility of the Installer/User to ensure that this product is loaded according to specifications.



WARNING: The weight ratings of this product can be found on the product. Exceeding these weight ratings can result in serious injury or damage to the equipment. It is the responsibility of the Installer/User to ensure the components installed do not surpass the weight ratings as an unstable condition can occur which may cause possible injury or damage.



CAUTION: If there is visible damage on the product, it must not be installed.



CAUTION: Safety measures must be practiced at all times during the assembly of this product. Use proper safety equipment and tools for the assembly procedure to prevent personal injury.



CAUTION: Note that during construction, there must be no possibility of personal injury, for example the squeezing of fingers or arms.



CAUTION: For loading, always put heavier items at the bottom of the bays, not near the top, in order to help prevent the possibility of the furnishing tipping over.



CAUTION: The appliance is not intended for use by young children or infirm persons without supervision.

Safety Instructions: Rack Mount

Elevated Operating Ambient: If installed in a closed or multi-unit rack assembly, the operating ambient temperature of the rack environment may be greater than room ambient. Therefore, consideration should be given to installing the equipment in an environment compatible with the maximum ambient temperature (T_{ma}) specified by the manufacturer.

Reduced Air Flow: Installation of the equipment in a rack should be such that the amount of air flow required for safe operation of the equipment is not compromised.

Mechanical Loading: Mounting of the equipment in the rack should be such that a hazardous condition is not achieved due to uneven mechanical loading.

Circuit Overloading: Consideration should be given to the connection of the equipment to the supply circuit and the effect that overloading of the circuit might have on overcurrent protection and supply wiring. Appropriate consideration of equipment nameplate ratings should be used when addressing this concern.

Reliable Earthing: Reliable earthing of rack-mounting equipment should be maintained. Particular attention should be given to supply connections other than direct connections to the branch circuit (e.g. use of power strips).

Disconnect Device (Pluggable Equipment): The socket-outlet shall be installed near the equipment and shall be easily accessible.

INSTRUCTIONS IMPORTANTES SUR LA SÉCURITÉ

- Lire ces instructions.
- Respectez tous les avertissements.
- Nettoyer uniquement avec un chiffon sec.
- Conservez ces instructions.
- Suivez toutes les instructions.
- N'utilisez que des accessoires spécifiés par le fabricant.



DANGER TENSION DANGEREUSE: Le symbole de la pointe de flèche, dans un triangle équilatéral, est destiné à alerter l'utilisateur sur la présence de tension dangereuse non isolée dans l'enceinte du produit qui peut être d'une ampleur suffisante pour constituer un risque d'électrocution.



AVERTISSEMENT: Un avertissement vous avertit d'une situation pouvant entraîner des blessures graves ou la mort.



ATTENTION: Une attention vous avertit d'une situation pouvant entraîner des blessures mineures ou des dommages au produit et/ou à la

REMARQUE: Une remarque est utilisée pour mettre en évidence les procédures relatives à l'installation, au fonctionnement ou à l'entretien du produit.



AVERTISSEMENT: Refus de lire, comprendre et suivre les renseignements suivants peut traduire par de graves blessures, des dommages à l'équipement ou invalider la garantie. Il est la responsabilité de l'installateur/utilisateur de s'assurer que ce produit est chargé conformément aux spécifications.



AVERTISSEMENT: Les caractéristiques de poids de ce produit peuvent être trouvées sur le produit. Le dépassement de ces caractéristiques de poids peut entraîner des blessures graves ou des dommages à l'équipement. C'est l'responsabilité de l'installateur/utilisateur de s'assurer que les composants installés ne dépassent pas les notes de poids comme un instable condition peut se produire qui peut causer des blessures ou dommages.



ATTENTION: S'il ya des dommages visibles sur le produit, il ne doit pas être installé.



ATTENTION: Des mesures de sécurité doivent être mises en œuvre en tout temps lors de l'assemblage de ce produit. Utiliser un équipement et des outils de sécurité appropriés pour la procédures de afin d'éviter les blessures.



ATTENTION: Notez que pendant la construction, il ne doit pas y avoir de risque de blessure, comme par exemple le écraser des doigts ou des bras.



ATTENTION: Pour le chargement, placez toujours des articles plus lourds au bas des baies, pas près du sommet, afin d'éviter la possibilité de basculement de l'ameublement.



ATTENTION: L'appareil n'est pas destiné à être utilisé par des enfants en bas âge ou des personnes infirmes sans surveillance.

Consignes de sécurité: montage en rack

Température de fonctionnement élevée: Si installé dans un rack fermé ou à unités multiples, la température ambiante de fonctionnement de l'environnement du rack peut être supérieure à ambiante de la pièce. Par conséquent, il faudrait envisager d'installer l'équipement dans un environnement compatible avec la température ambiante maximale (T_{ma}) spécifiée par le constructeur.

Réduction Air accréditives: Installation de l'équipement dans un rack doit être telle que la quantité de flux d'air nécessaire au bon fonctionnement de l'équipement ne soit pas compromise.

Chargement mécanique: Le montage de l'équipement dans le rack doit être telle qu'une condition dangereuse ne lié à un chargement mécanique irrégulier.

Surcharge des circuits: Il faudrait envisager à la connexion de l'équipement au circuit d'alimentation et l'effet que la surcharge du circuit pourrait avoir sur la protection contre les surintensités et le câblage d'alimentation. Examen approprié des équipements évaluations de la plaque signalétique doit être utilisée pour traiter de cette préoccupation.

Mise à la terre fiable: Fiable mise à la terre de l'équipement de montage en rack doit être maintenue. Une attention particulière devrait être accordée aux connexions d'alimentation autres que les connexions directes vers le circuit de dérivation (par exemple de l'utilisation de bandes de puissance).

Appareil Disconnect (Équipement Pluggable): La prise de courant doit être installée à proximité du matériel et doit être facilement accessible.

WEIGHT RATINGS

Model Number	Weight Rating
Tabletop	200 lbs. Maximum Total Rated Load
Swing-Out Rack	20 lbs. Maximum Total Rated Load

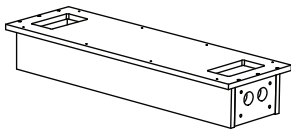


WARNING: This product is intended for use only with the products and maximum weights indicated. Use with other products or products heavier than the maximum weights indicated may result in instability causing possible injury. Total tabletop weight must not exceed 200 lbs. (90.71 kg).



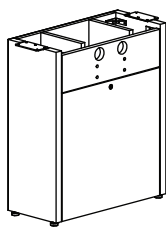
AVERTISSEMENT: Cette produit est conçu pour être utilisé uniquement avec les produits et les poids maximum indiqués. uniquement avec les produits et les poids maximaux indiqués. En cas d'utilisation avec d'autres produits ou des produits plus lourds que le poids maximal indiqué, le chariot peut devenir instable et causer des blessures. Le poids total de la table ne doit pas dépasser 200 lbs. (90.71 kg).

SUPPLIED COMPONENTS AND HARDWARE

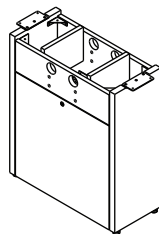


Trough
A

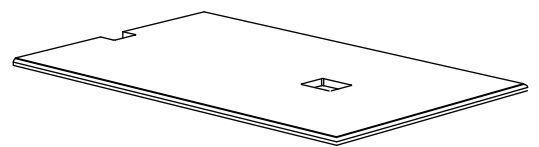
Model	Qty.
1-Piece Tabletop	1
2-Piece Tabletop	2



(2x)
End Pedestal Base
B

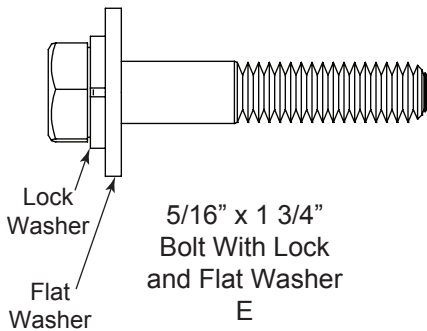


Center Pedestal Base
(2-Piece Tabletop Models Only)
C



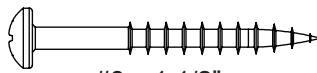
Tabletop
D

Model	Qty.
1-Piece Tabletop	1
2-Piece Tabletop	2



5/16" x 1 3/4"
Bolt With Lock
and Flat Washer
E

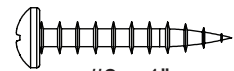
Model	Qty.
1-Piece Tabletop	8
2-Piece Tabletop	16



#8 x 1 1/2"
Wood Screw
F

Model	Qty.
1-Piece Tabletop	14
2-Piece Tabletop	28 or 36*

*Standard hardware quantities for 12' and 16' 2-piece tabletops, respectively. Amounts for custom tabletop lengths may vary.

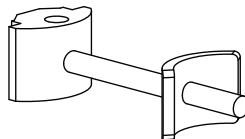


#8 x 1"
Wood Screw
G

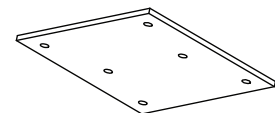
Model	Qty.
1-Piece Tabletop	8
2-Piece Tabletop	24



(6x)
Wood Biscuits
(2-Piece Tabletop Models Only)
H



(4x)
Joint Connector
(2-Piece Tabletop Models Only)
J



(2x)
Mending Plate
(2-Piece Tabletop Models Only)
K

SUPPLIED COMPONENTS AND HARDWARE (CONTINUED)

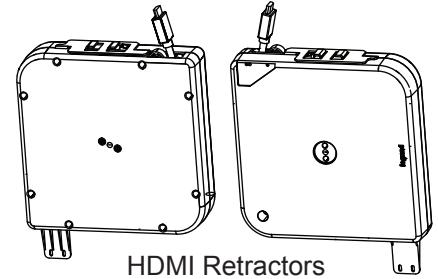
SWING-OUT RACK (T5-TECH-KITXX)



(20x)
#10 x 5/8" Wood
Screw
L



(2x)
Lacing Strip
M



HDMI Retractors
N



(2x) 10-32 Oval
Nut
P

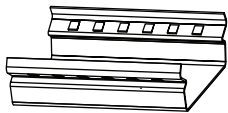


(2x) 10-32 x 1/2"
Flat Head Screw
R

Model	Qty.
1-Piece Tabletop	4
2-Piece Tabletop	6

Model	Qty.
1-Piece Tabletop	2
2-Piece Tabletop	4

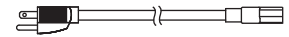
Model	Qty.
1-Piece Tabletop	2
2-Piece Tabletop	4



Power Mounting
Clip
S



Power Strip
T

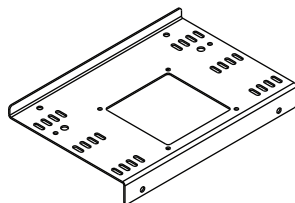


Power Cable
NOTE: Lengths vary based on table size.
U

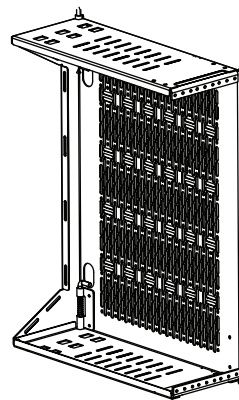
Model	Qty.
1-Piece Tabletop	2
2-Piece Tabletop	4

Model	Qty.
1-Piece Tabletop	1
2-Piece Tabletop	2

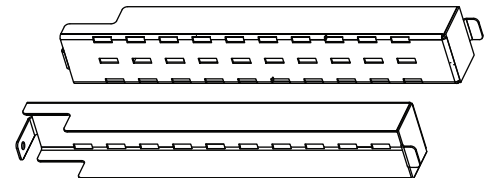
Model	Qty.
1-Piece Tabletop	1
2-Piece Tabletop	2



(2x)
Pivot Bracket
V



Swing-Out Rack
W



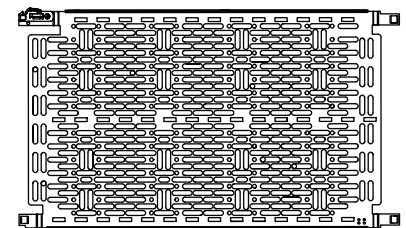
Lever Lock
Adapter Brackets
X



(6x) 10-32 x 3/4"
Truss Screw With
Washer
Y



(2x)
2" Lever Lock
Plate
Z



10" Lever Lock
Plate
AA

SUPPLIED COMPONENTS AND HARDWARE (CONTINUED)

SWING-OUT RACK (T5-TECH-KITXX)



(6x)

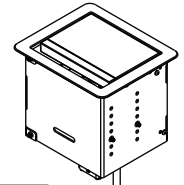
Lever Lock Securing Rivet

AB



Face After Panel

AD



A/V Table Box

AE



(20x)

Lever Lock Plate Washer

AC

Model	Qty.
1-Piece Tabletop	2
2-Piece Tabletop	3



FAN OPTION (T5-DCFANKIT-1)

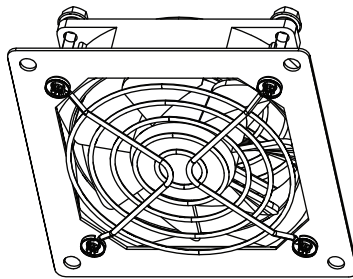


(8x)

10-32 x 3/8" Fan

Mounting Screw

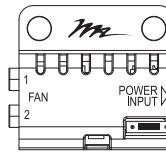
AF



(2x)

Fan

AG



Fan Controller

AH



(2x)

#6 x 3/8" Fan

Controller Mounting

Screw

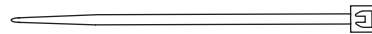
AJ



Fan Controller

Power Supply

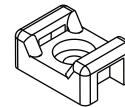
AK



(12x)

Wire Tie

AL



(3x)

Tie Saddle

AM



(3x) #10-x 5/8"

Tie Saddle Screw

AN

NOTE: Additional hardware is included that may not be required for your installation.

REQUIRED TOOLS

- 4' Level
- Saw Horses (or Stable Platform)
- Power Driver With 6" Long Phillips Bit or 6" Long #2 Phillips Screwdriver
- 5mm Hex Driver (Included)
- 7/16" Box Wrench
- 1/2" Socket Wrench



WARNING: Use tools with caution and follow all necessary safety protocols.

AVERTISSEMENT: Utiliser des outils avec prudence et suivre tous les protocoles de sécurité nécessaires.

INSTALLING TROUGHS TO PEDESTAL BASES



CAUTION: At least two people are required for pedestal, trough, and tabletop procedures.
ATTENTION: Au moins deux personnes sont requises pour les procédures de piédestal, de quille et de table.

1. Before you begin, hand tighten all leveling glides on the pedestal bases as shown. **(FIGURE A)**

TIP: Use 7/16" box wrench for nut above leveling glide, if necessary.

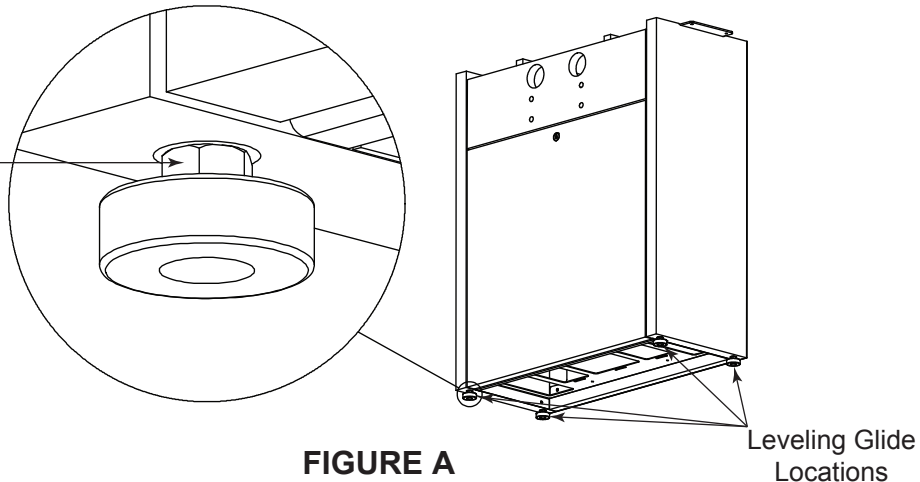


FIGURE A

2. Position end pedestal bases (B) with the doors facing each other. If you have a 2-piece tabletop model, position the center pedestal base (C) in between the ends. Space all bases approximately one trough (A) length apart from each other. **(FIGURE B)**

NOTE:

- A center pedestal base (C) is provided for 2-piece tabletop models. No center base is provided for 1-piece models.
- Position center pedestal base (C) so the door opens from the desired side.

3. Use a 1/2" socket and (16x for 2-piece tabletop models, 8x for 1-piece models) 5/16" x 2" bolts with washers (E) to attach the troughs (A) to the pedestal bases (B and C).

NOTE: First, loosely attach all of the 5/16" x 2" bolts with washers (E), and then tighten them. Do not overtighten.

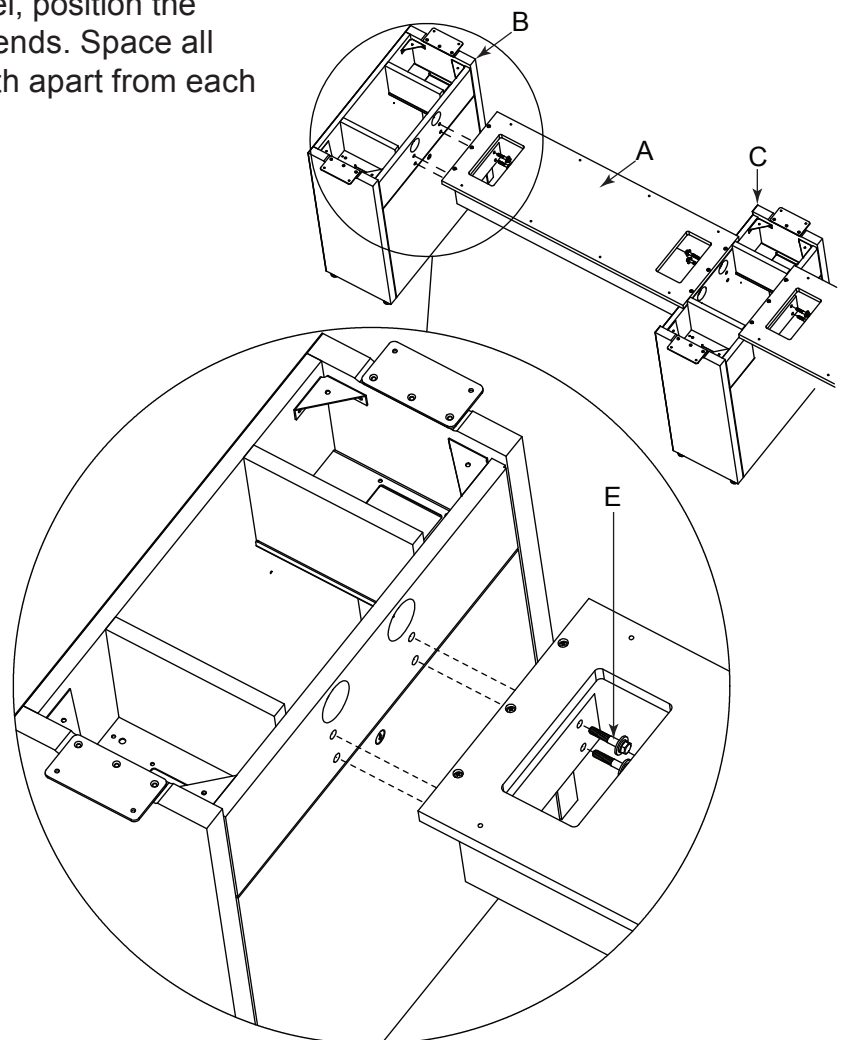


FIGURE B

INSTALLING TROUGHS TO PEDESTAL BASES (CONTINUED)

4. Use power driver or screwdriver and (12x for 2-piece tabletop models, 6x for 1-piece models) 1 1/2" wood screws (F) to finish installing the troughs to the pedestal bases as shown. (FIGURE C)

NOTE: Use the 1 1/2" wood screws (F) and not the 1" wood screws (G) for this step.

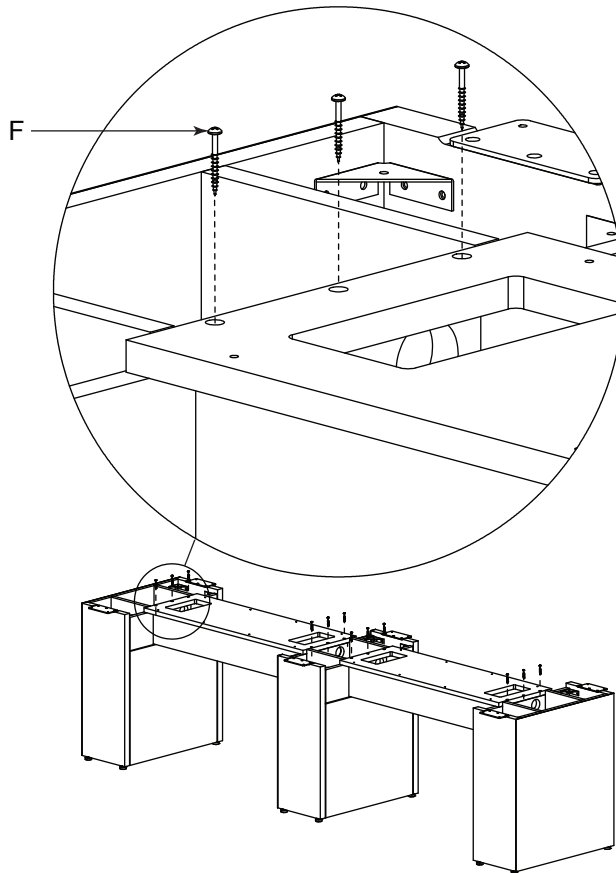


FIGURE C

5. With the troughs fully installed to the pedestal bases, place the entire assembly over any floor boxes and where any over floor raceway ends as needed. (FIGURE D)

NOTE:

- Pull floor box cables before placing the assembly for access from inside the pedestal bases.
- Over floor raceway and floor box provided as examples.

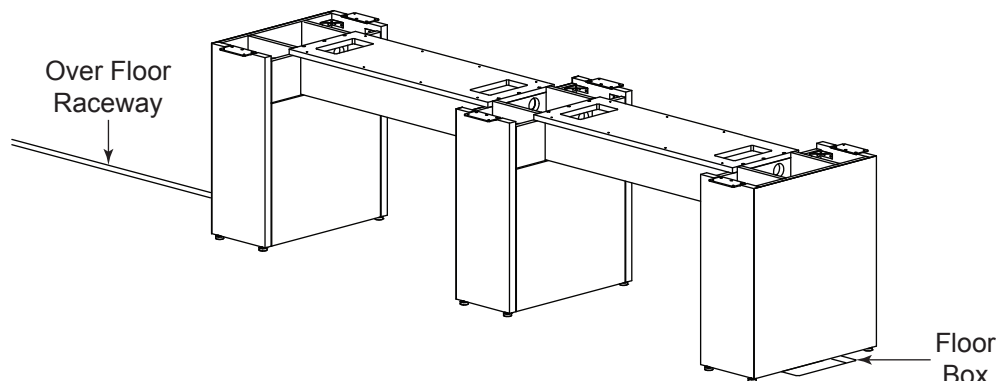


FIGURE D

INSTALLING TROUGHS TO PEDESTAL BASES (CONTINUED)

6. With the assembly now in its final location, use a 4' level to check across pedestal bases and along troughs and carefully make necessary adjustments by loosening leveling glides as needed. (FIGURE A)

INSTALLING THE LACING STRIPS

- Use power driver or screwdriver and (6x) #10 x 5/8" wood screws (L) to install the (2x) lacing strips (M) to the inside of the pedestal base as shown. (FIGURE E)

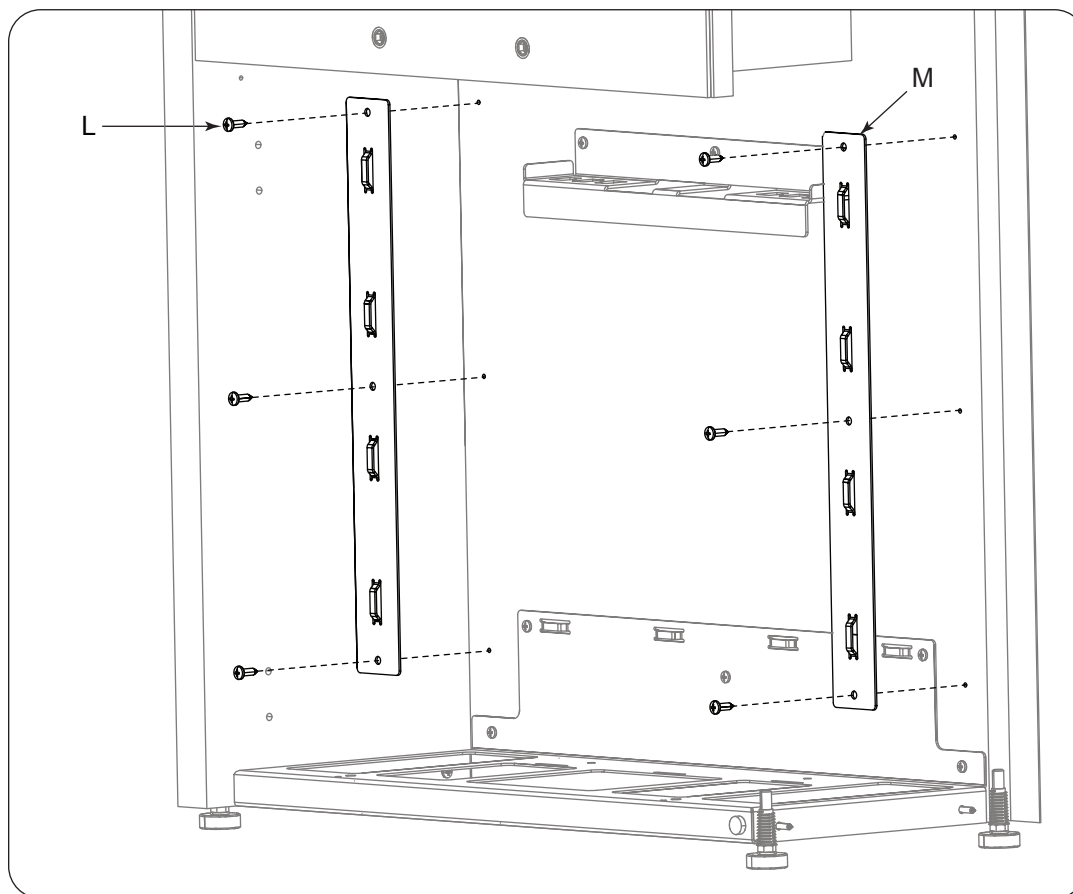
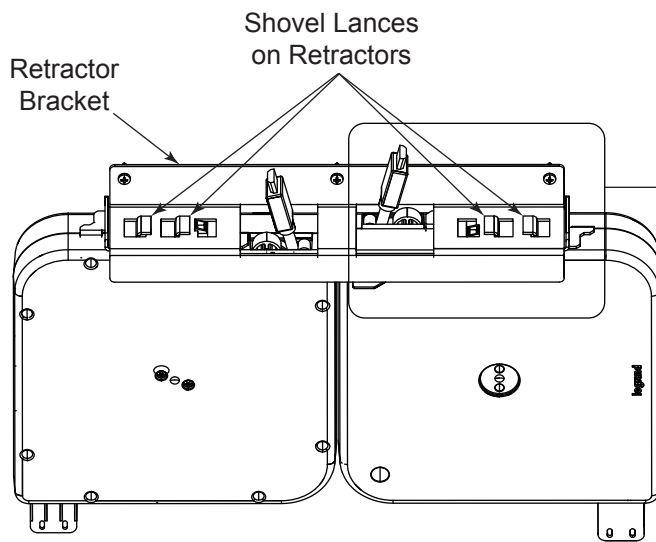


FIGURE E

INSTALLING THE HDMI RETRACTORS

- Install each HDMI retractor (N) by carefully hooking the shovel lances up and to the center of the retractor bracket as shown. **(FIGURE F)**



NOTE: Retractors and bracket isolated for clarity.

NOTE: Carefully push the retractor inward to secure the clip into place.

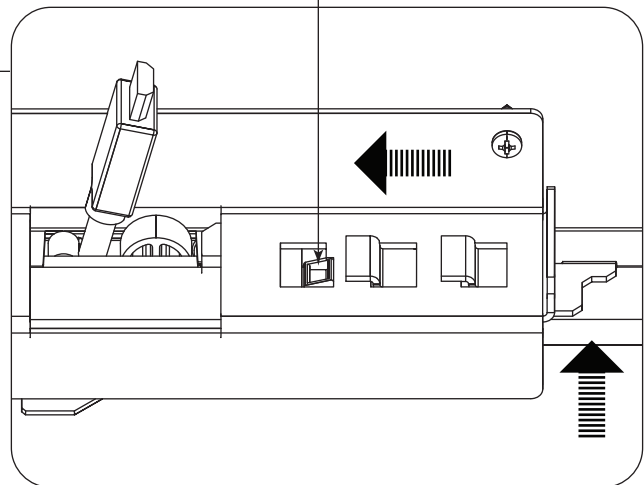


FIGURE F

INSTALLING THE POWER STRIP

1. Hold oval nut (P) underneath the bracket hole as shown. **(FIGURE G)**
2. Use power driver or screwdriver and a flat head screw (R) to secure each power mounting clip (S) to the bottom of the pedestal.
3. Push power strip (T) into power mounting clips (S) until it snaps into place.

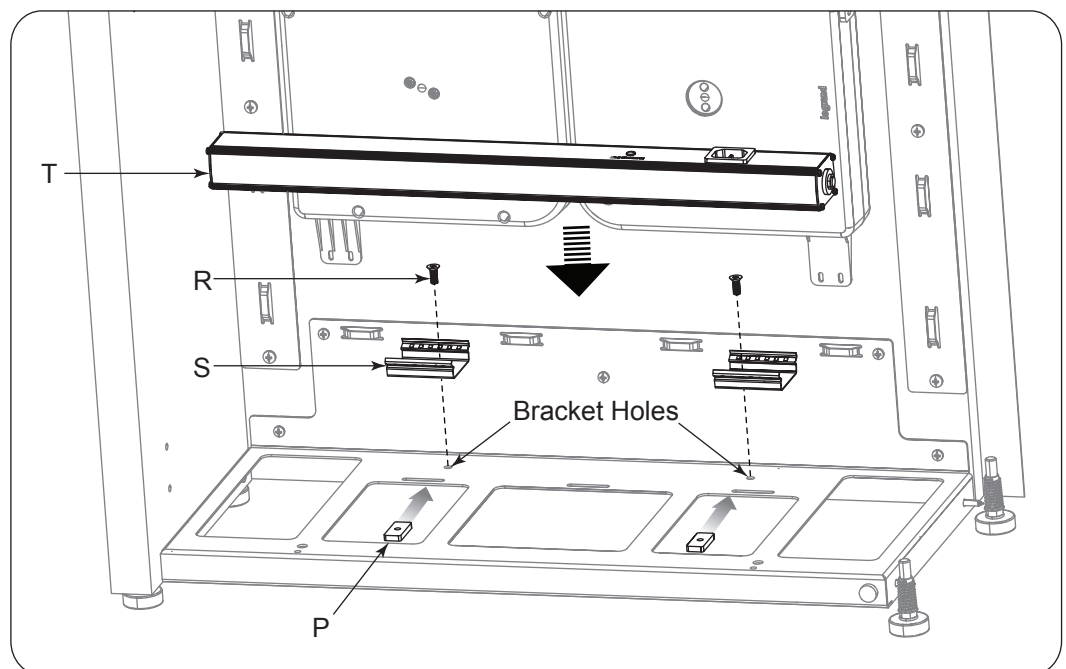


FIGURE G

INSTALLING THE POWER STRIP (CONTINUED)

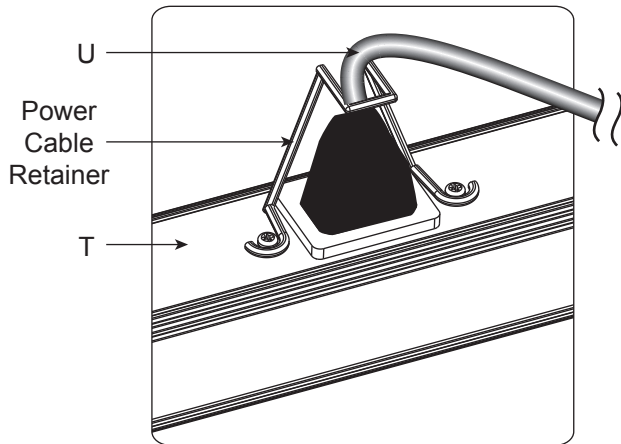


FIGURE H

4. Plug the power cable (U) into the receptacle on the power strip (T) and secure it in place with the power cable retainer. **(FIGURE H)**
5. Connect the power cable into your desired receptacle.

NOTE:

- For more information, see “Powering the Table Boxes” on page 25.
- Different IEC cables may be used; however, the length must be a minimum of 5ft. (1.5M) and a maximum of 15ft. (4.5M).

TIP: Remove the power strip (T) from the power mounting clips by wedging a flat head screwdriver between the side of the power strip and clip, and gently pry them from each other as shown. **(FIGURE J)**

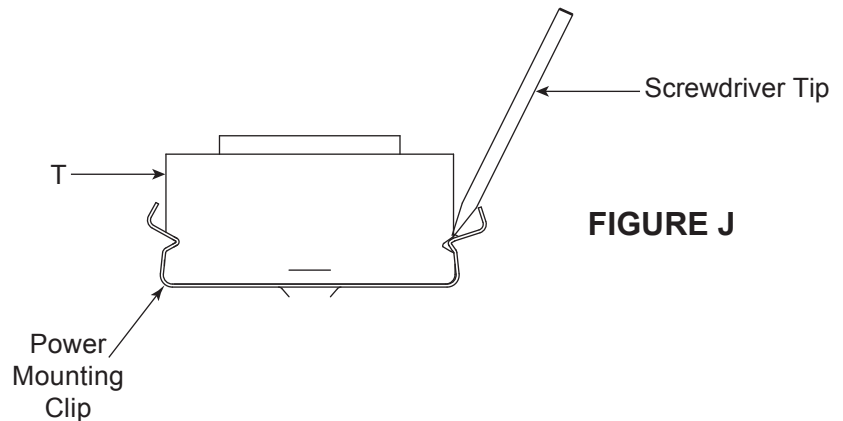


FIGURE J

INSTALLING THE PIVOT BRACKETS

1. Place pivot bracket (V) inside of pedestal with flanges positioned as shown. **(FIGURE K)**
2. Use power driver and (3x) #10 x 5/8" wood screws (L) to secure the pivot bracket (V) to the side and center of pedestal.

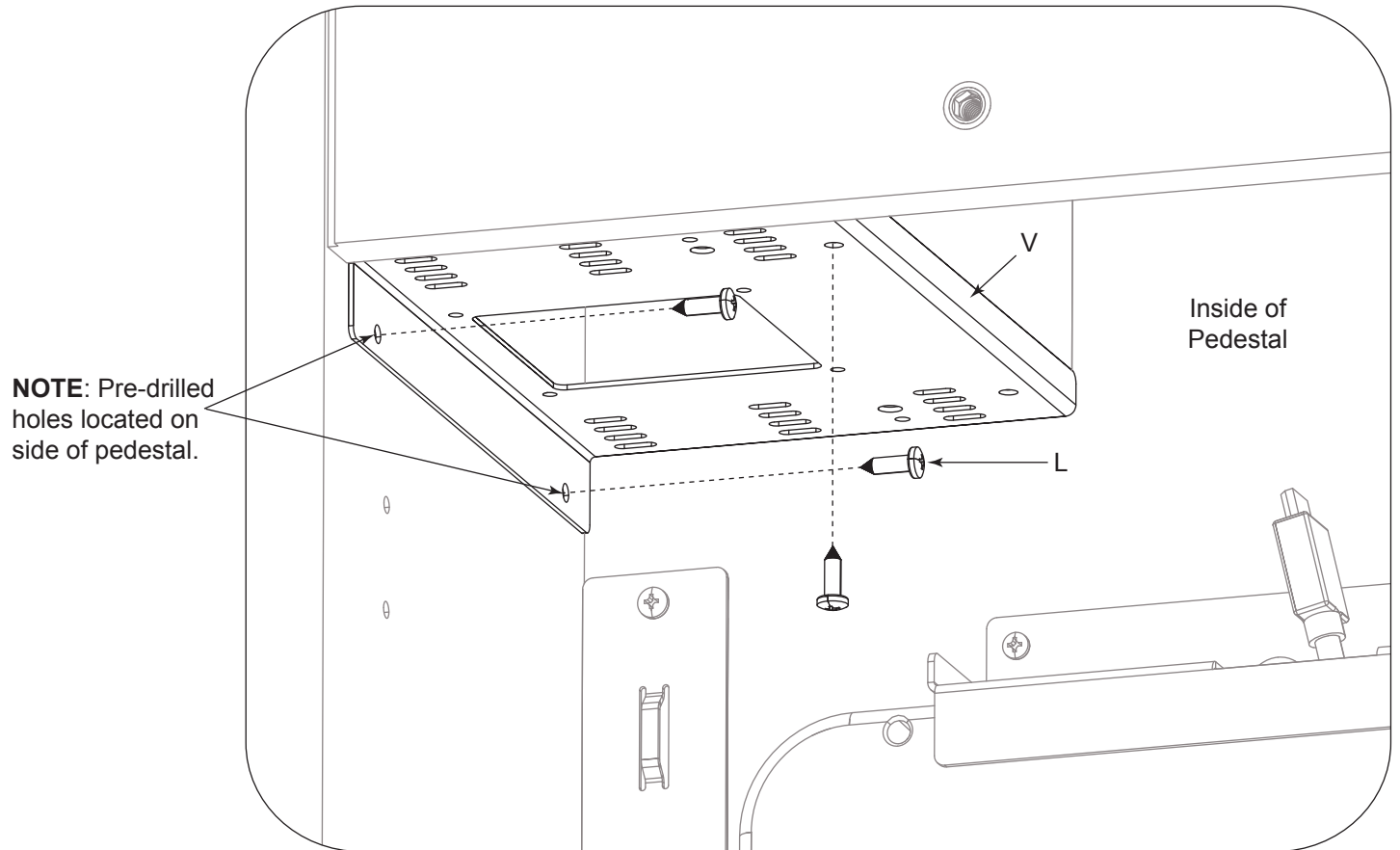


FIGURE K

3. Repeat the process with the second pivot bracket on the other side of the pedestal.

INSTALLING THE FAN OPTION (T5-DCFANKIT-1)

1. Use (4x per fan) 10-32 x 3/8" fan mounting screws (AF) to install each fan (AG) upward into the opening on the pivot bracket (V) with the cables positioned toward the back corners as shown. (FIGURE L)

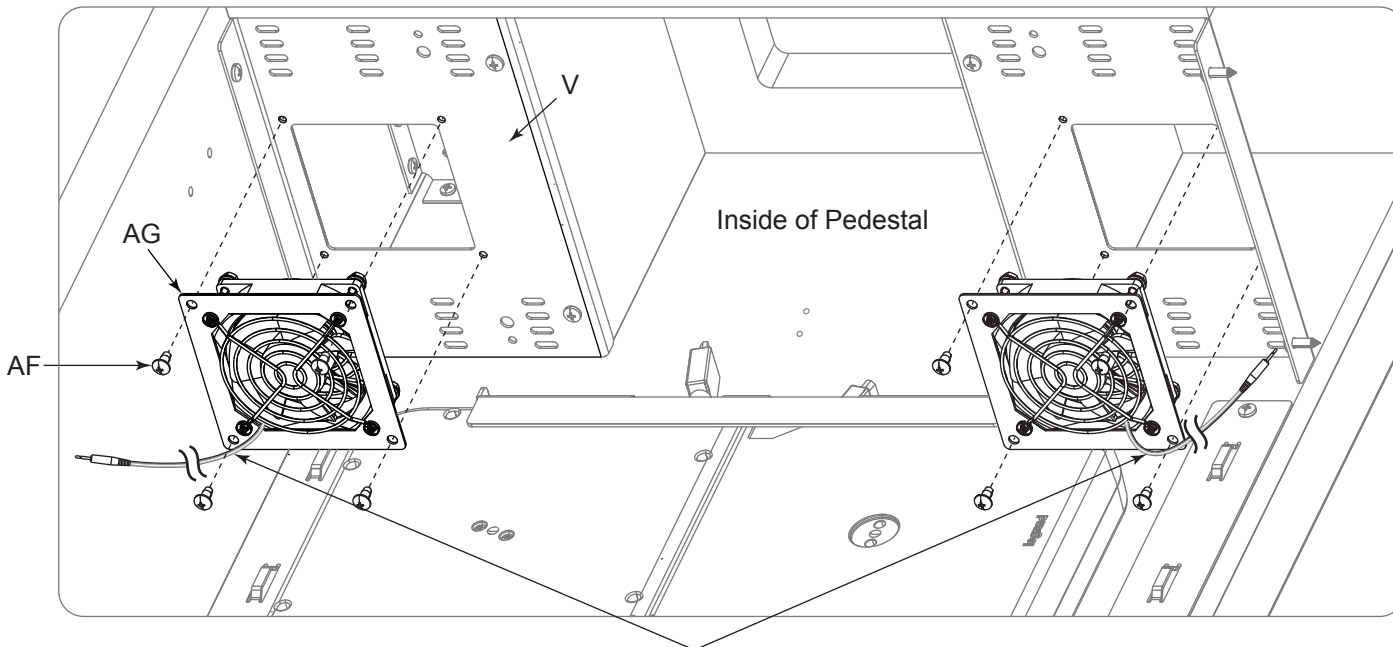


FIGURE L Cables positioned toward inside back corners of pedestal.

2. Install the jumper on the inline fan controller (AH) for the following functions:

- Jumper on two center pins (pre-installed location) turns the fan on at 87° and off at 85°. (FIGURE M)
- Jumper on two left pins, fan will remain off.
- Jumper on two right pins, fan will remain on.

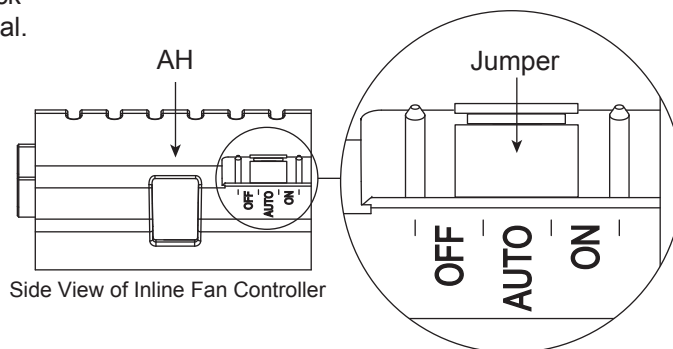


FIGURE M

3. Use (2x) #6 x 3/8" controller mounting screws (AJ) to mount the inline fan controller (AH) at the location of the pre-drilled holes on the upper-back inside of the pedestal. (FIGURE N)

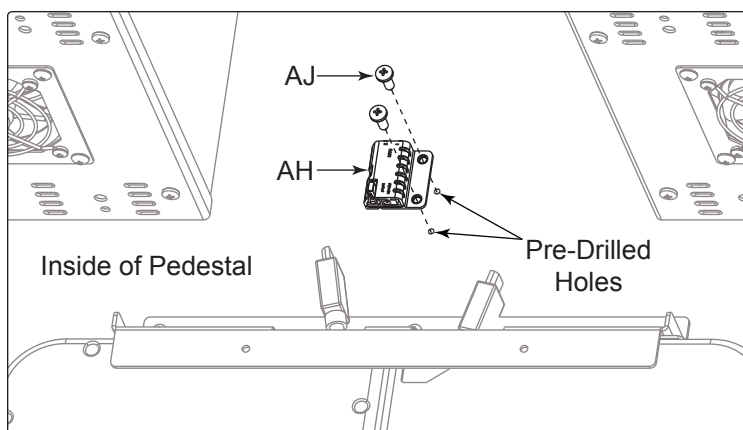


FIGURE N

INSTALLING THE FAN OPTION (T5-DCFANKIT-1, CONTINUED)

4. Run the cables from each fan to the inline fan controller (AH). (Inputs 1 and 2 are interchangeable.) (**FIGURE P**)
5. Connect power supply (AK) to input on inline fan controller (AH).
6. Connect power supply (AK) to power strip (T).

NOTE: Wire ties (AL), tie saddles (AM), and tie saddle screws (AN) are provided for cable management.

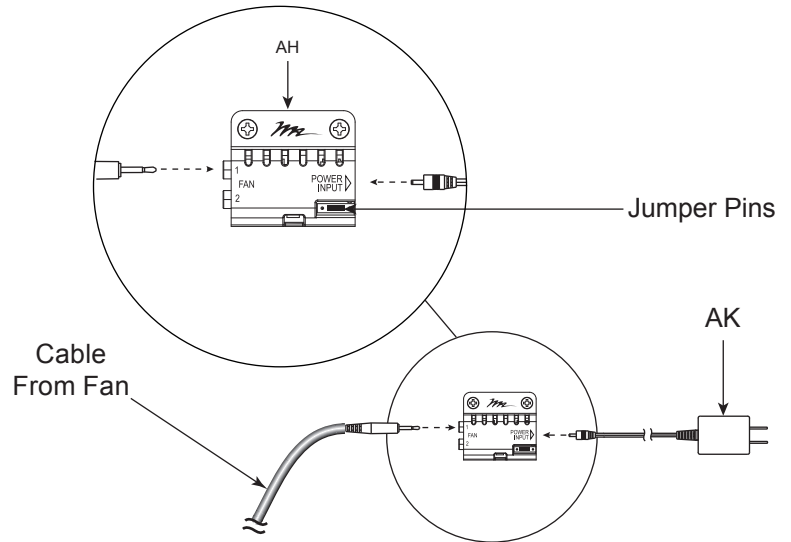
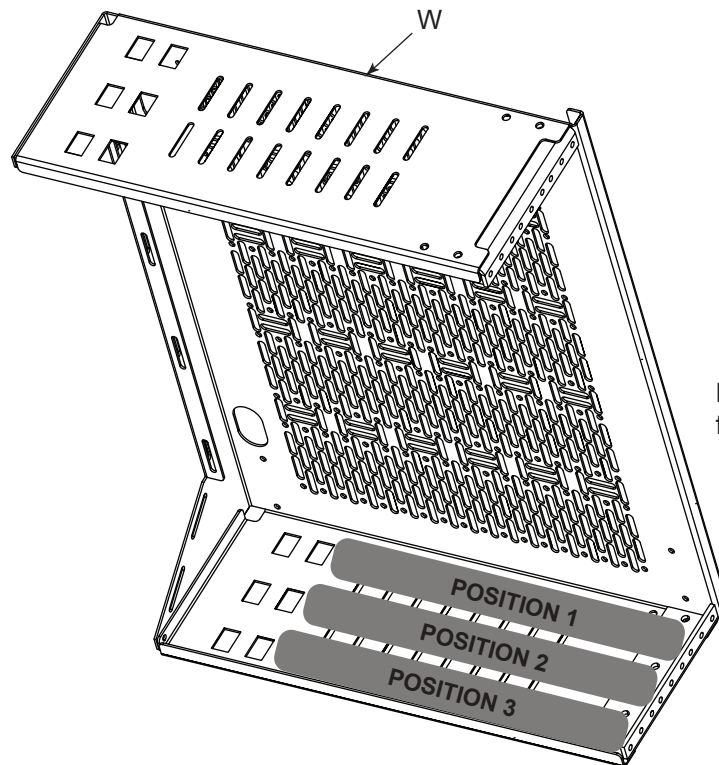


FIGURE P

INSTALLING LEVER LOCK™ INTO THE SWING-OUT RACK

1. Choose from the following positions to install your Lever Lock adapter bracket (X) into the swing-out rack (W). (**FIGURE R**)



NOTE: Rack isolated for clarity.

FIGURE R

INSTALLING LEVER LOCK™ INTO THE SWING-OUT RACK (CONTINUED)

NOTE: Reposition the rackrails to the second depth position using the (2x, per rail) 10-32 PEM studs and (2x, per rail) 10-32 nuts, if desired. (**FIGURE S**)

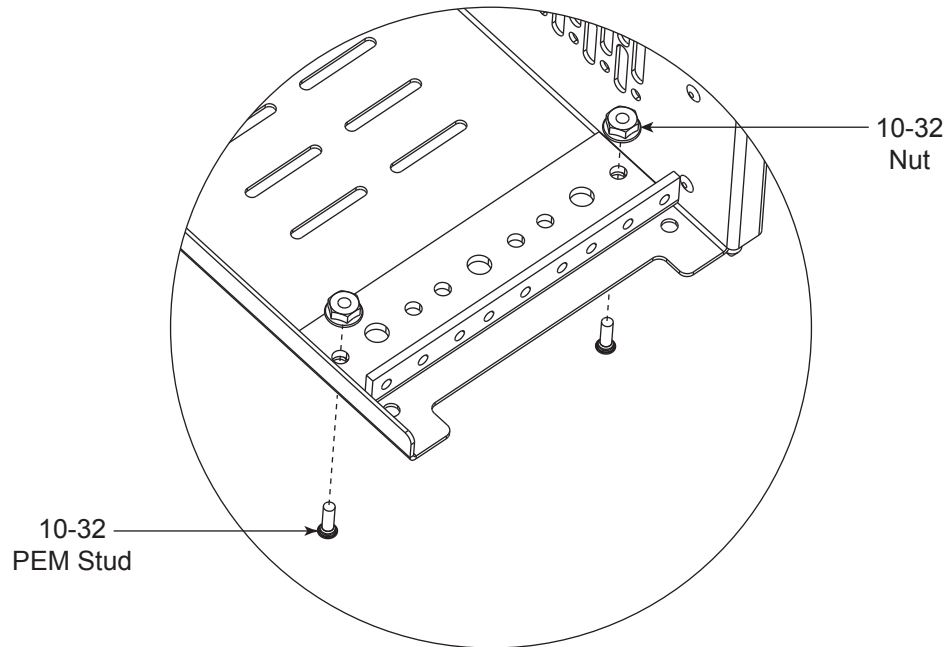


FIGURE S

2. Insert the tab on the end of the Lever Lock adapter bracket (X) into the opening of your selected position. (**FIGURE T**)

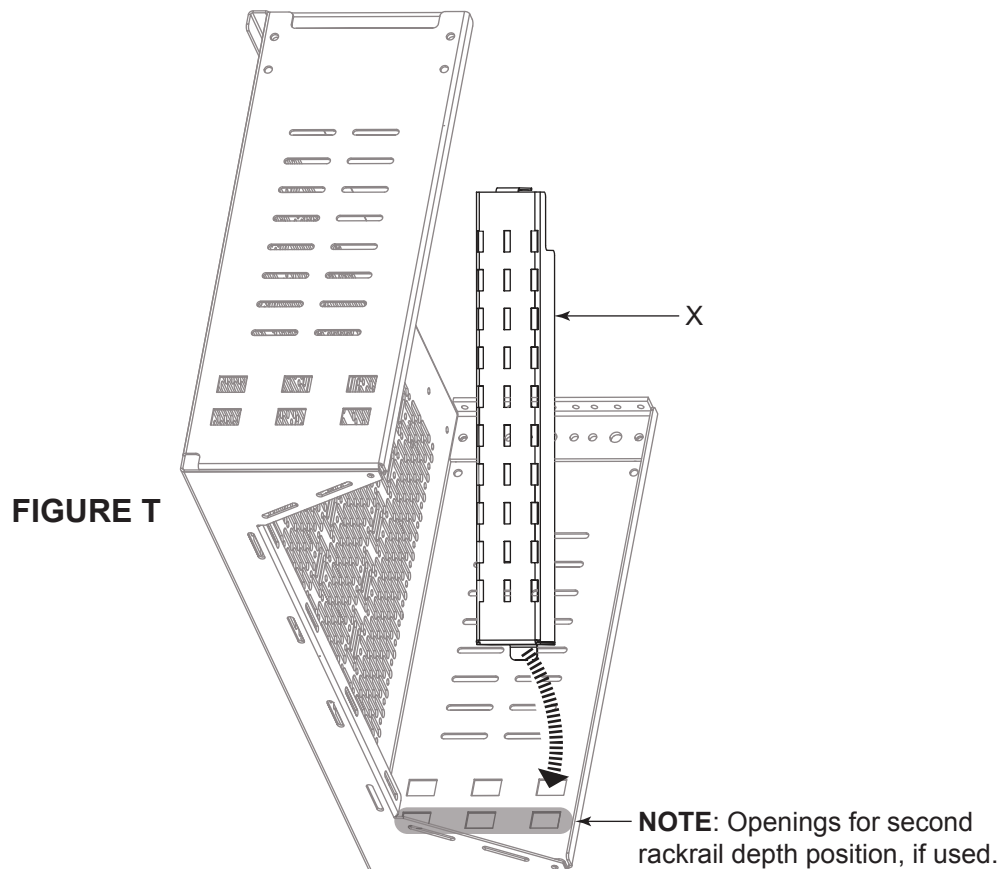


FIGURE T

INSTALLING LEVER LOCK INTO THE SWING-OUT RACK (CONTINUED)

- Use a 10-32 x 3/4" truss screw with washer (Y) to secure the Lever Lock adapter bracket to the rackrail. (FIGURE U)

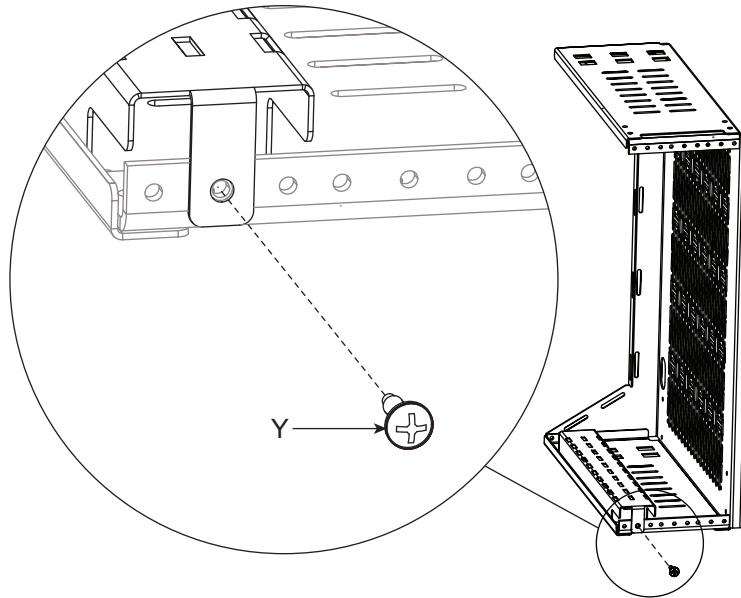


FIGURE U

- Repeat the process to install the second Lever Lock adapter bracket (X) in the same position as the first, but on the opposite side of the rack. (FIGURE V)

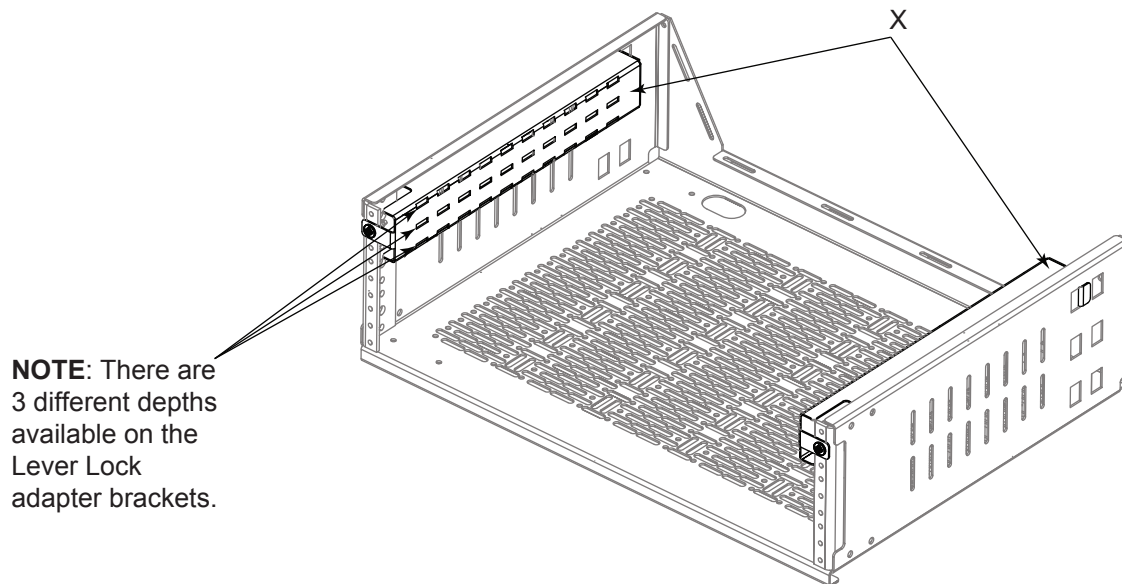
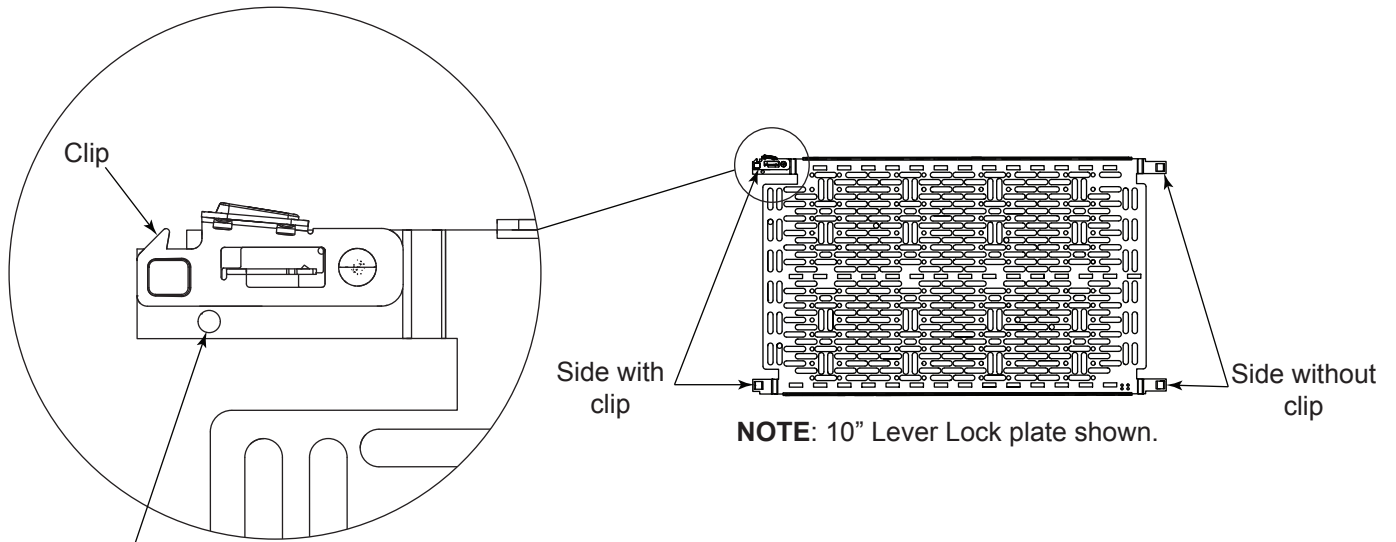


FIGURE V

INSTALLING LEVER LOCK INTO THE SWING-OUT RACK (CONTINUED)

5. Attach the 2" and/or 10" Lever Lock plate (Z and AA, respectively) by installing the side without the clip into the brackets first. Then install the side with the clip until it clicks into place. (**FIGURE W**)



NOTE: Install plastic securing rivet (AB) into hole to secure the clip more permanently, if desired.

FIGURE W

NOTE:

- The Lever Lock plates may be installed on the brackets at different depths. (**FIGURE V**)
- All 4 corners of the Lever Lock plates must be inserted into the brackets at the same depth in order to function correctly.
- (20x) Lever Lock plate washers (AC) are provided for equipment mounting convenience.

6. Use (4x) 10-32 x 3/4" truss screw with washers (Y) to secure the face after panel (AD) to the rack. (**FIGURE X**)

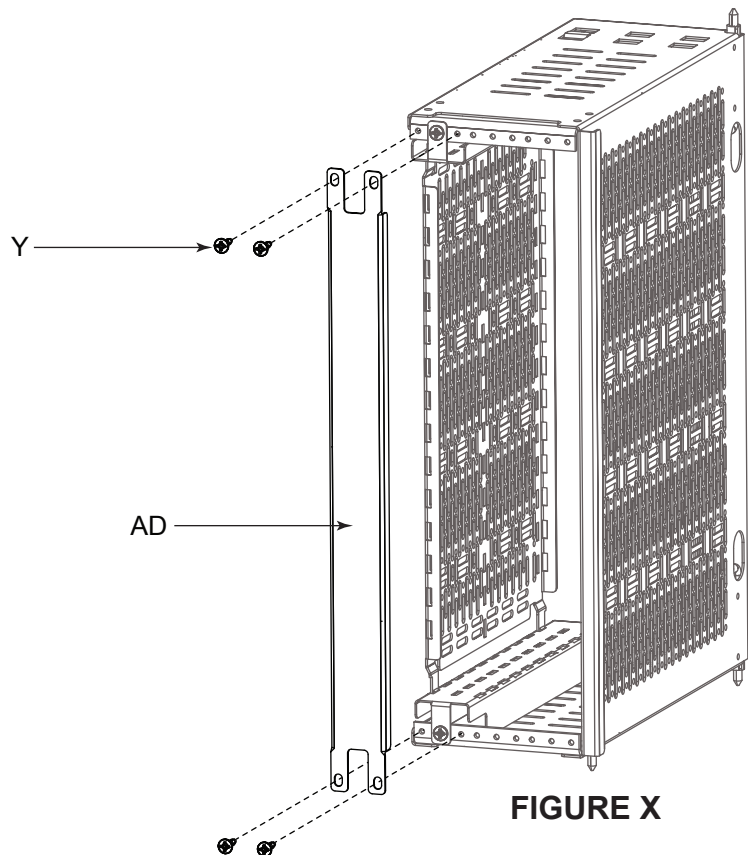
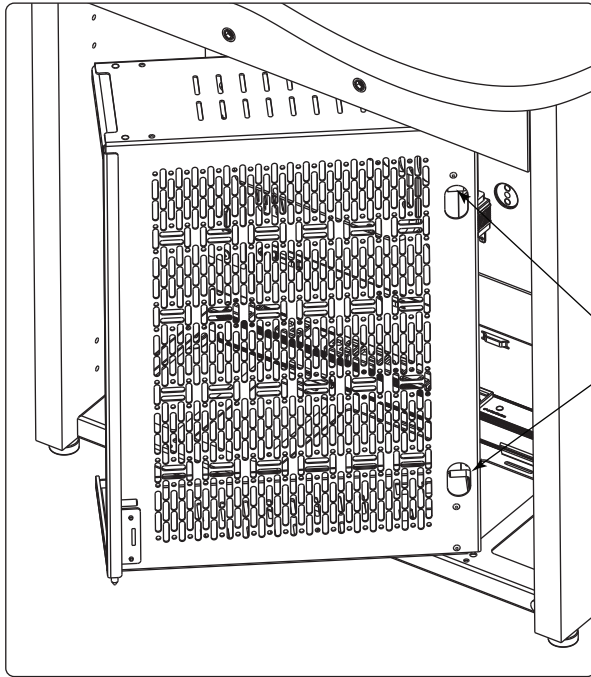


FIGURE X

INSTALLING THE SWING-OUT RACK

NOTE: This topic shows the installation of the swing-out rack in a recommended right swing position inside of the pedestal and may be reversed to have a left swing, if desired.

1. Place the retractable hinge pins into the holes on the pivot bracket (top) and bottom of the pedestal as shown. (**FIGURE Y**)

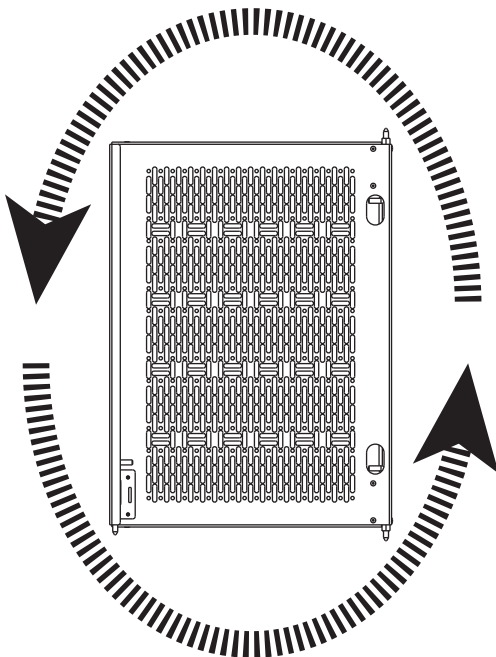


NOTE:

- Access hinge pins through swing-out rack openings.
- Pedestal base door removed for clarity.

FIGURE Y

NOTE: If desired, reverse the swing-out rack to have a left swing position by rotating the swing-out rack and placing the hinge pins into the holes on the pivot bracket (top) and bottom of the pedestal as shown. (**FIGURE Z**)



NOTE:
Access hinge pins through swing-out rack openings.

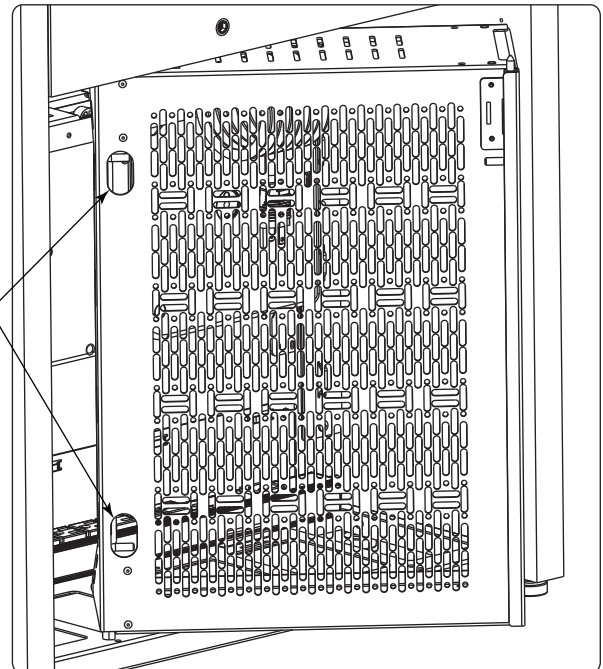


FIGURE Z

INSTALLING THE SWING-OUT RACK (CONTINUED)

2. Use the swing-out rack's lock pin to secure the rack into the pedestal as shown. (FIGURE AA)

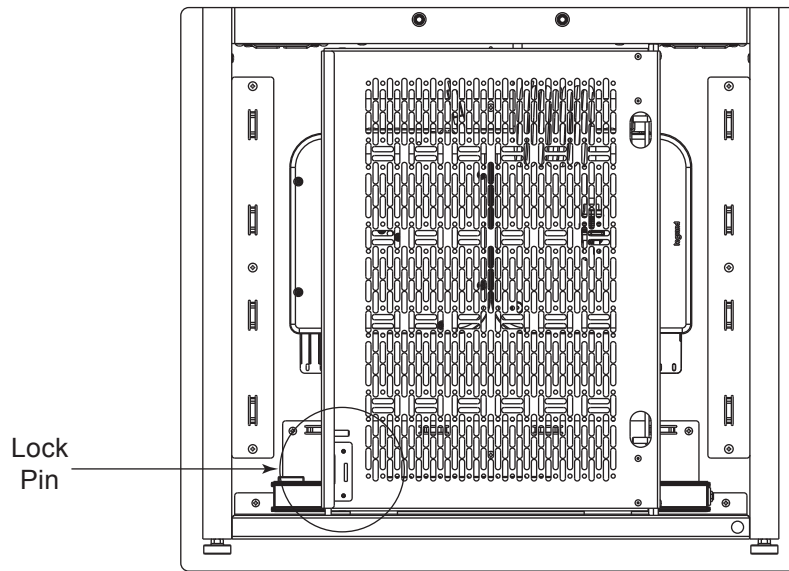


FIGURE AA

NOTE: When the swing-out rack is installed with a left swing position, the lock pin is on the upper-right side and secures into the pivot bracket (top) instead of the bottom of the pedestal. (FIGURE AB)

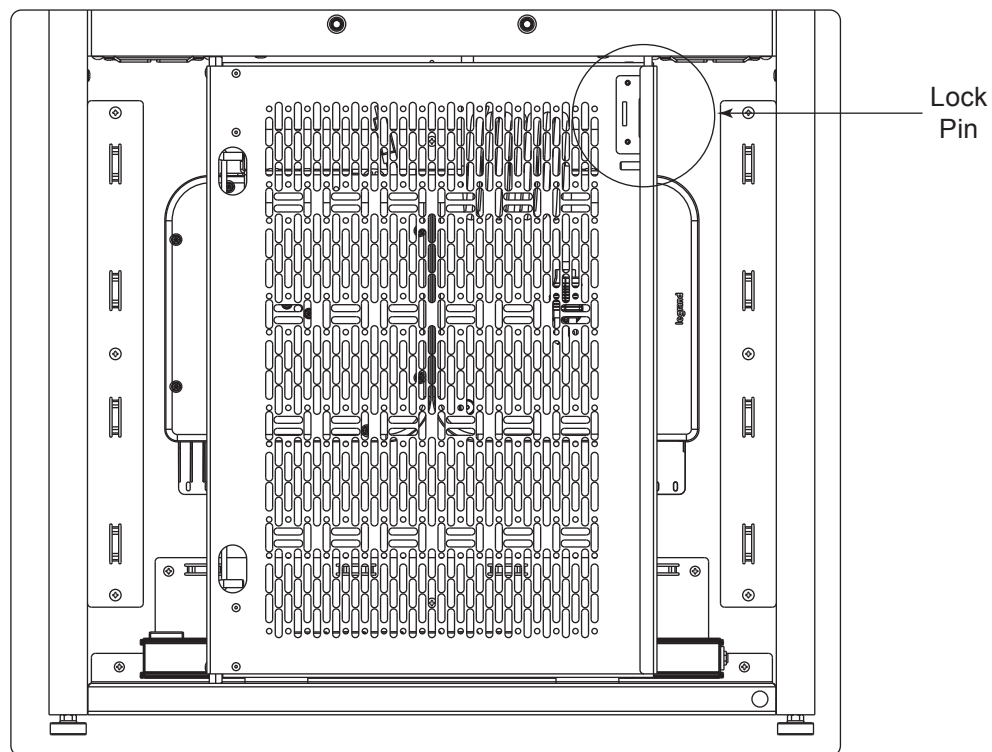


FIGURE AB

ADJUSTING PEDESTAL BASE DOOR (IF NECESSARY)

- If necessary, use screwdriver to adjust door hinges as shown. (FIGURE AC)

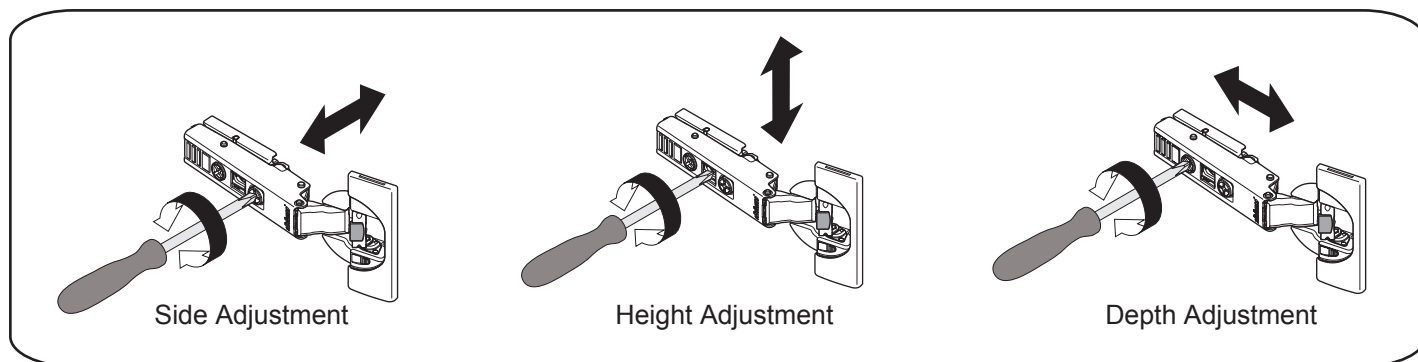


FIGURE AC

JOINING TABLETOP HALVES (2-PIECE TABLETOP MODELS ONLY)

CAUTION: At least two people are required for pedestal, trough, and tabletop procedures.
ATTENTION: Au moins deux personnes sont requises pour les procédures de piédestal, de quille et de table.

NOTE: To protect the wood finish from scratching, do not place any parts or tools on the unprotected tabletop surface during assembly. For wood kit care and cleaning, refer to I-00788.

1. Place tabletops (D) on the leveled base assembly and gently slide tops together inserting (6x) wood biscuits (H) into slots for alignment. (FIGURE AD)

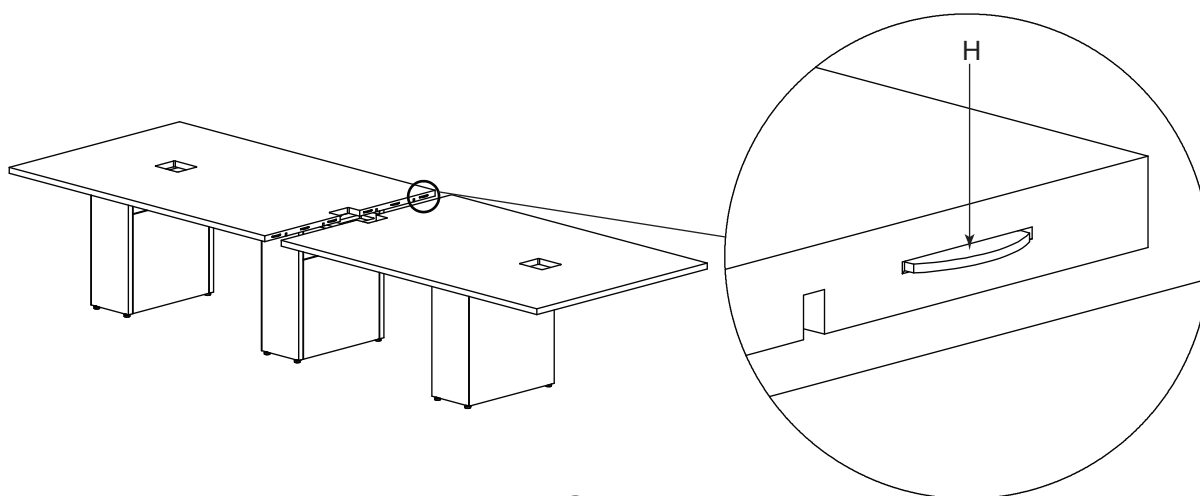
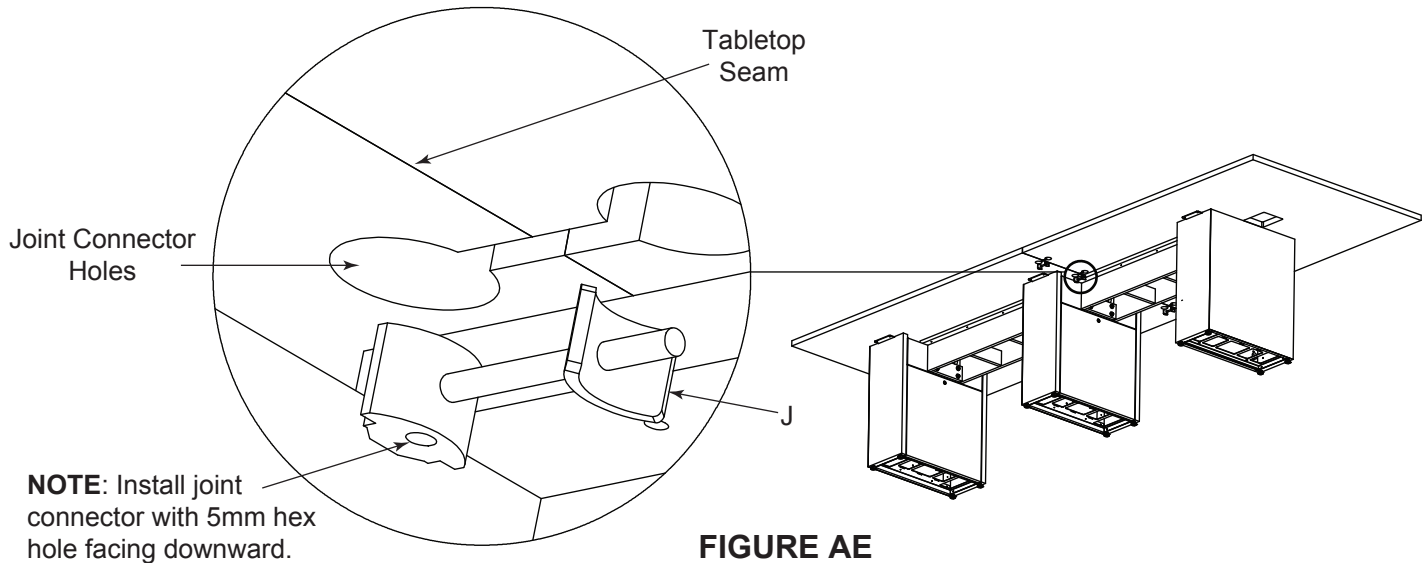


FIGURE AD

JOINING TABLETOP HALVES (2-PIECE TABLETOP MODELS ONLY, CONTINUED)

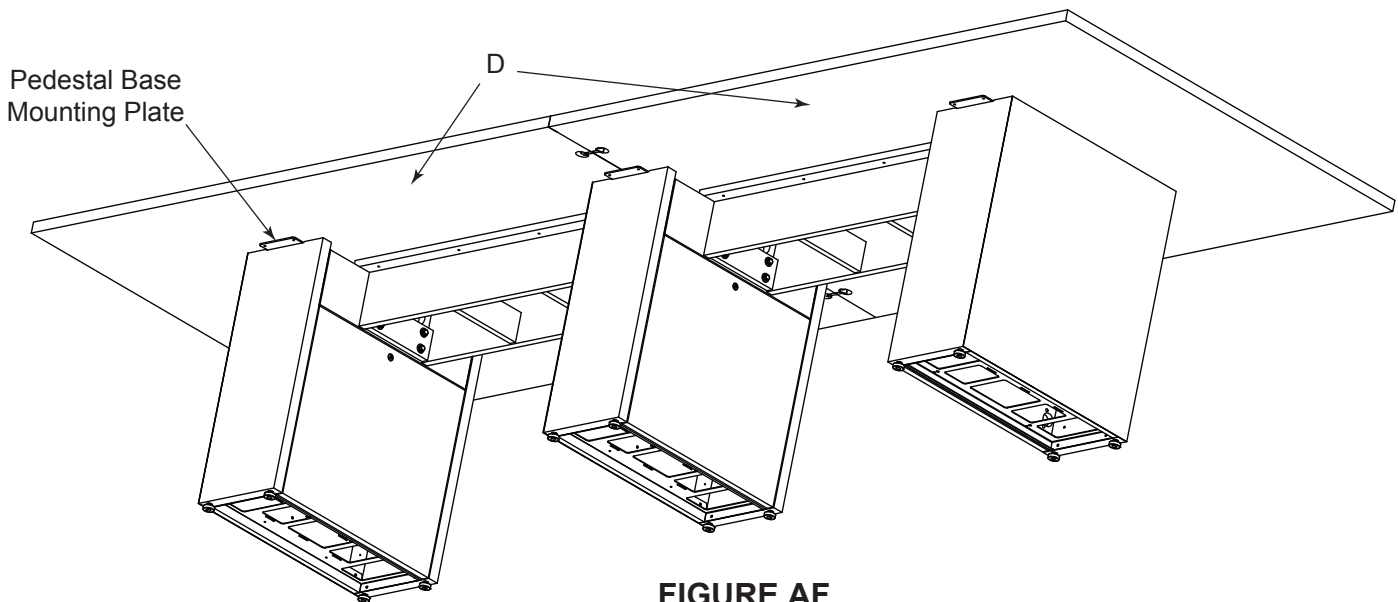
2. With tabletops shifted to one end exposing the joint connector holes, insert (4x) joint connectors (J, with hex hole facing downward) and use 5mm hex bit to tighten the seam. (FIGURE AE)



ATTACHING THE BASE ASSEMBLY TO THE TABLETOP(S)

NOTE: To protect the wood finish from scratching, do not place any parts or tools on the unprotected tabletop surface during assembly. For wood kit care and cleaning, refer to I-00788.

1. Align pre-drilled holes on the bottom of the tabletop(s) (D, halves for 2-piece tabletop models, single piece for 1-piece models) with the holes on the pedestal base mounting plates. (FIGURE AF)



ATTACHING THE BASE ASSEMBLY TO THE TABLETOP(S) (CONTINUED)

2. Use power driver or screwdriver and (12x for 2-piece tabletop models, 8x for 1-piece models) 1" wood screws (G) to attach the pedestal bases to the top as shown. **(FIGURE AG)**

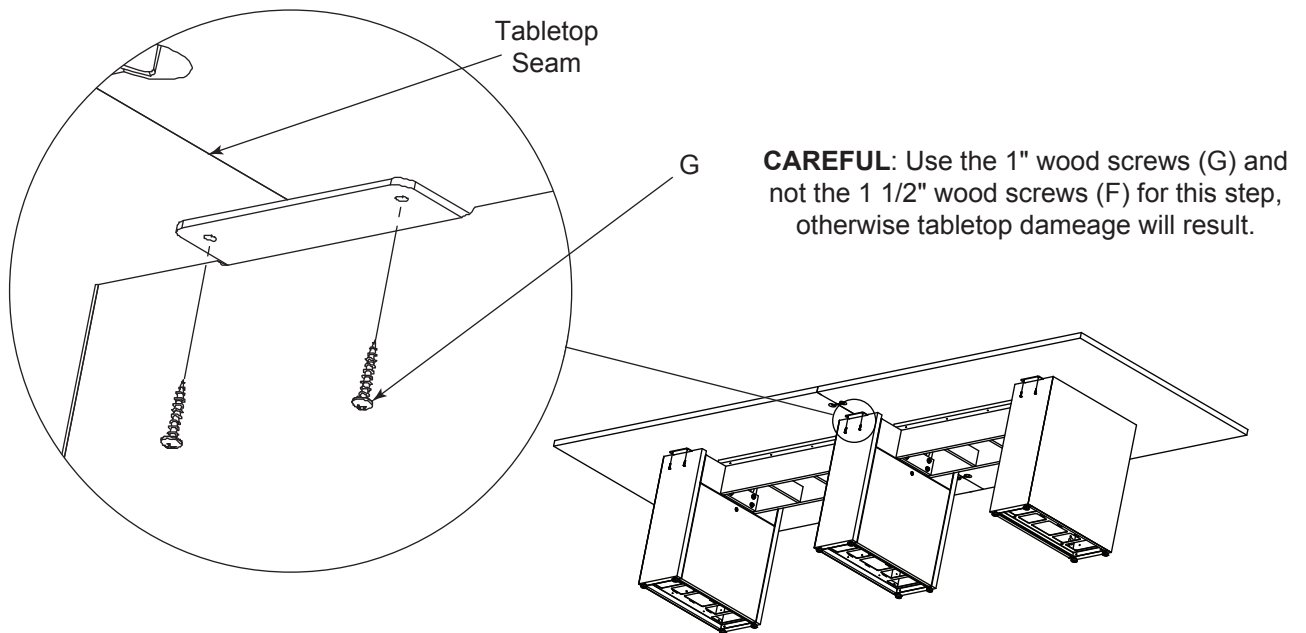


FIGURE AG

3. Use power driver or screwdriver and (16x or 24x for 2-piece tabletop models*, 8x for 1-piece models) 1 1/2" wood screws (F) to attach the trough edges (A) to the tabletops (D) as shown. **(FIGURE AH)**

NOTE: Use the 1 1/2" wood screws (F) and not the 1" wood screws (G) for this step.

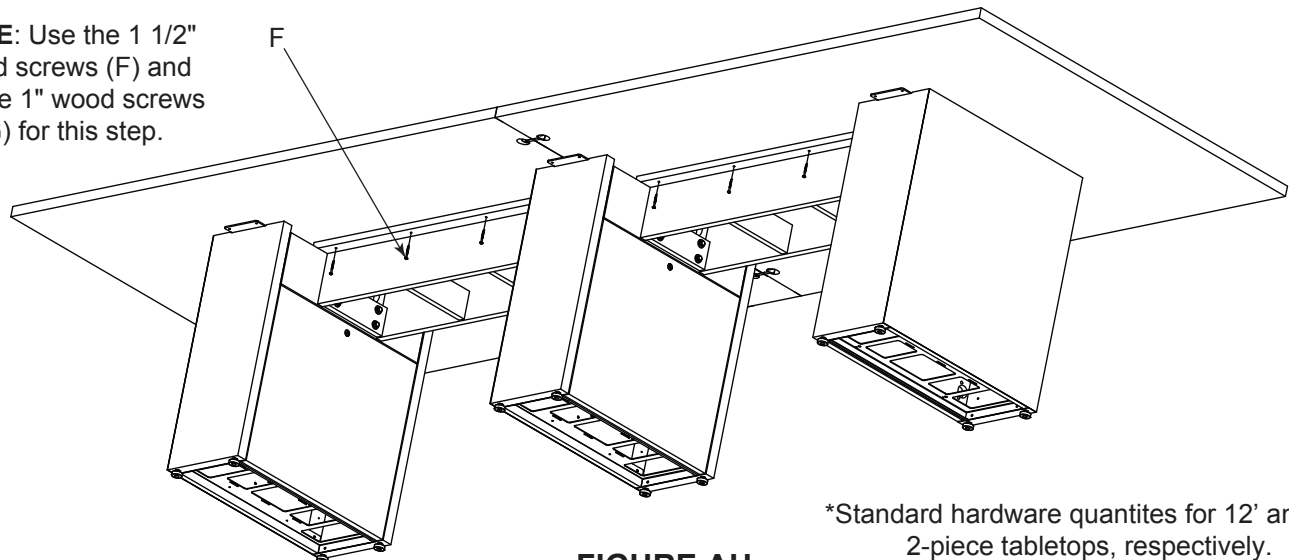
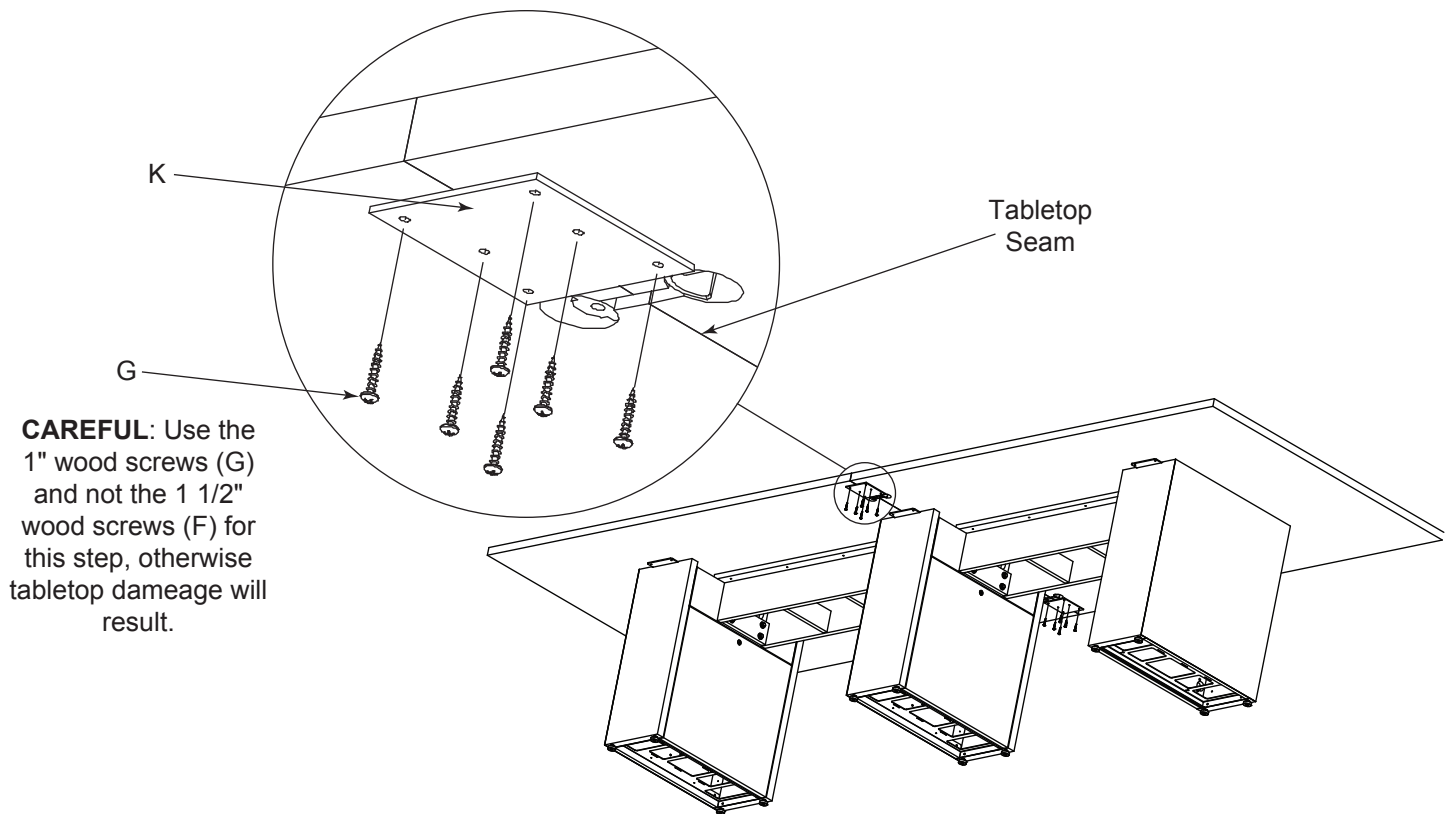


FIGURE AH

*Standard hardware quantities for 12' and 16' 2-piece tabletops, respectively. Amounts for custom tabletop lengths may vary.

ATTACHING THE MENDING PLATES (2-PIECE TABLETOP MODELS ONLY)

- Use power driver or screwdriver and (12x) 1" wood screws (G) to attach the 2 mending plates (K) on the bottom of the tabletops (D) as shown. (FIGURE AJ)



CAREFUL: Use the 1" wood screws (G) and not the 1 1/2" wood screws (F) for this step, otherwise tabletop damage will result.

FIGURE AJ

INSTALLING THE TABLE BOXES

NOTE: To protect the wood finish from scratching, do not place any parts or tools on the unprotected tabletop surface during assembly. For wood kit care and cleaning, refer to I-00788.

- To install the table boxes, refer to the “A/V Table Boxes Installation Instructions” 1011928. **(FIGURE AK)**

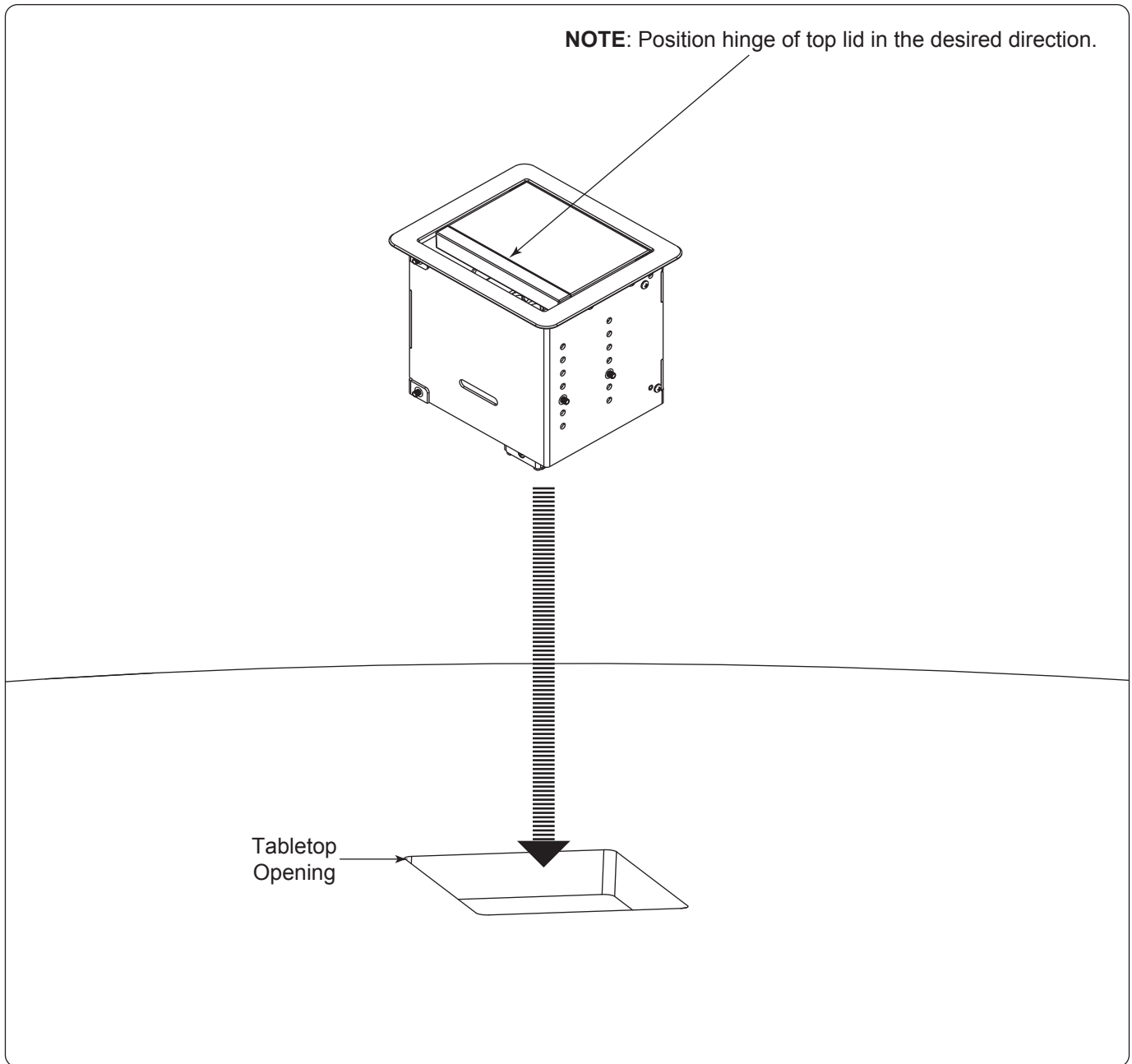


FIGURE AK

POWERING THE TABLE BOXES



CAUTION: This topic shows how to connect your table boxes to the UL-listed ITE power strip(s) in your table. While hardwiring is possible, it must only be done by qualified personnel following NEC, NFPA 70, CEC, CSA C22.1, and all local municipal codes. Additional components are required for hardwiring. Contact Middle Atlantic Products for more information at (973) 839-1011.

ATTENTION: Cette rubrique montre comment connecter vos boîtes de table à la (les) bande(s) d'alimentation ITE (listée par UL) dans votre table. Tandis que le câblage direct de votre table est possible, il ne doit être effectué que par du personnel qualifié selon NEC, NFPA 70, CEC, CSA C22.1, et tous les codes municipaux locaux. Contactez Middle Atlantic Products pour plus d'informations au (973) 839-1011.

- Power your table boxes by running cables through tabletop(s), pedestals, and trough(s) as shown for the following configurations. (**FIGURE AL and AM**)

1-Piece Tabletop Configuration Powering Two Table Boxes

NOTE: To protect the wood finish from scratching, do not place any parts or tools on the unprotected tabletop surface during assembly. For wood kit care and cleaning, refer to I-00788.

1. Install your power strip (T). For more information, see “Installing the Power Strip” on page 13. (**FIGURE AL**)
2. Install your table boxes (AE). For more information, refer to the “A/V Table Boxes Installation Instructions” 1011928.

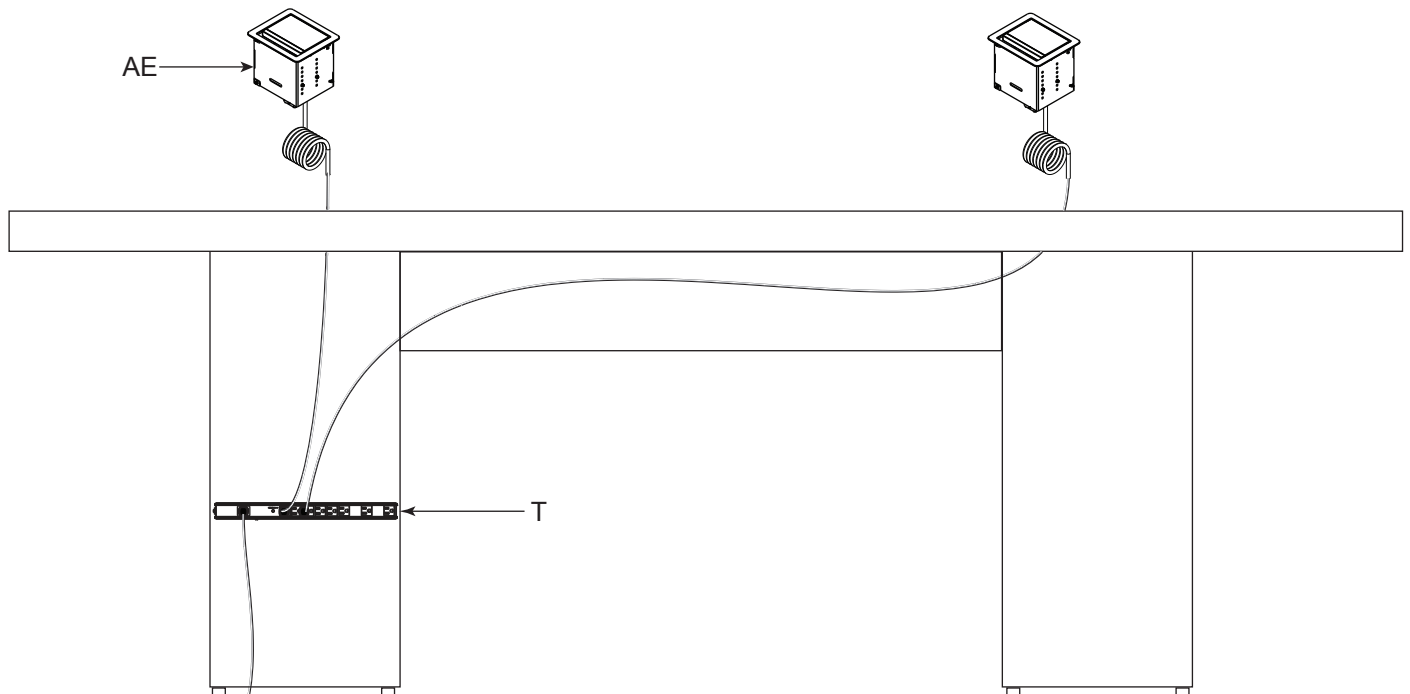


FIGURE AL



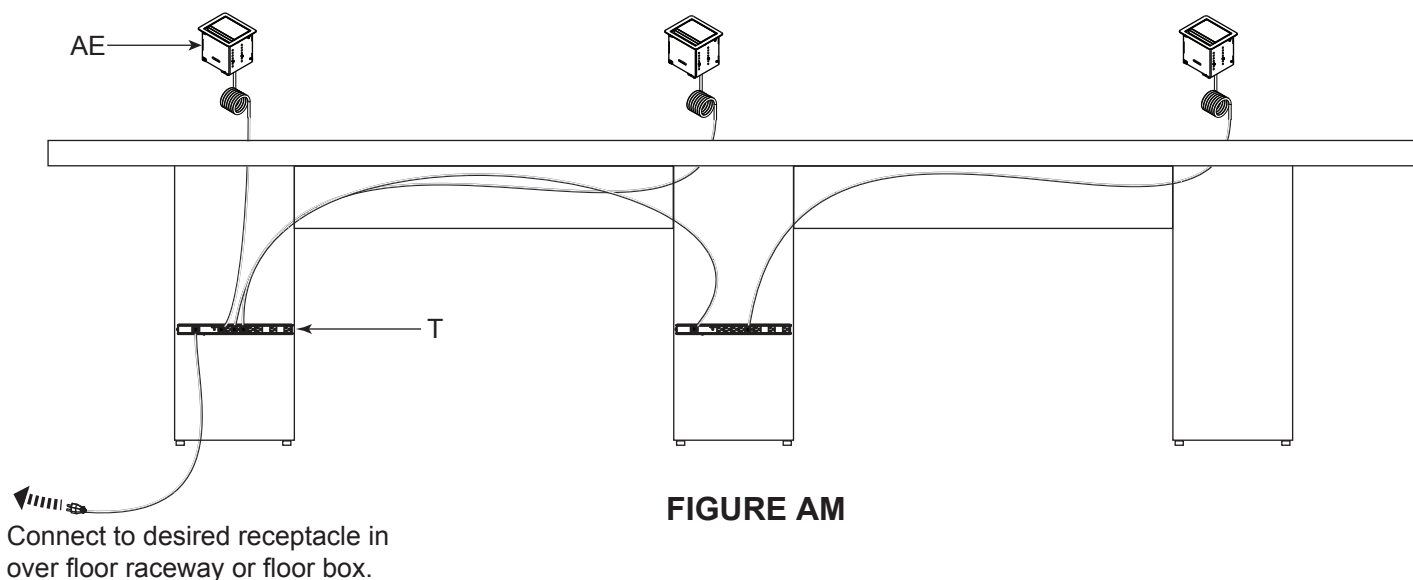
Connect to desired receptacle in over floor raceway or floor box.

POWERING THE TABLE BOXES (CONTINUED)

2-Piece Tabletop Configuration Powering Three Table Boxes

NOTE: To protect the wood finish from scratching, do not place any parts or tools on the unprotected tabletop surface during assembly. For wood kit care and cleaning, refer to I-00788.

1. Install your power strips (T). For more information, see "Installing the Power Strip" on page 10. (**FIGURE AM**)
2. Install your table boxes (AE). For more information, refer to the "A/V Table Boxes Installation Instructions" 1011928.



WARRANTY

For warranty information, refer to <http://www.middleatlantic.com/company/about-us.aspx#warranty>

Corporate Headquarters

Corporate Voice: 973-839-1011 - Fax: 973-839-1976 / International Voice: +1 973-839-8821 -
Fax: +1 973-839-4982
www.middleatlantic.com - info@middleatlantic.com

Middle Atlantic Canada

Voice: 613-836-2501 - Fax: 613-836-2690 / ca.middleatlantic.com -
customerservicecanada@middleatlantic.ca

Factory Distribution

USA: NJ - CA - IL Canada: ON - BC

At Middle Atlantic Products we are always listening. Your comments are welcome.

Middle Atlantic Products is an ISO 9001 and ISO 14001 Registered Company.